



**KSP**®  
**MACHINE TOOL DIVISION**





KSP Machine CO., serving to national and international market since 1998 with Industrial Parts Washing Systems, Degreasing Systems, Deburring Systems and Surface Treatment Systems. Throughout the years we have served, which has made us leading company in the national / international market with product quality and quality service approach.

KSP Machine offers the most suitable solutions to its customers in the field of engineering and manufacturing, if the products are subjected to washing, degreasing, phosphating, deburring, passivation, coating or any surface application process at any stage during the production process. KSP Machine, offers complete solutions to its customers through its Machinery and Automation Engineers.

KSP is increasing its export figures day by day, with more than 24 years of experience, high engineering knowledge, service quality and innovative management approach. KSP has become a reliable company with its qualified international dealers and exporting to more than 85 countries, as a result of QUALITY AND CONFIDENCE based service concept. KSP has become a followed company among international competitors by using the latest technology and making R&D.







### QUALITY

- KSP Machine, on time with a quality beyond customer expectations delivering customer satisfaction.
- Adapting quality management as a lifestyle and to carry out all activities accordingly.
- Examining the Quality Management System with the principle of continuous improvement and to make necessary corrections.
- Supporting continuous improvement of employees' training needs and to ensure their effectiveness.
- Being a respected company in the NATIONAL market and then in the INTERNATIONAL market depending on the process.
- Being an environmentally sensitive company in all its activities.
- Acting in accordance with customer and / or international standards in the production process.
- Complying with the requirements of CE, ISO9001 and ISO140001 Quality Management System, to ensure the continuity of the quality management system and to update the quality targets according to the conditions of the day in order to reach the determined quality targets.
- Ensure that the Quality Management System is adopted by all employees and updated in accordance with their progress in the process.



### PRECISION CLEANING

Precision cleaning, which is of great importance especially in medicine, optics, dentistry and aviation, is needed in many sectors. With our Cleaning Systems and many other systems used for washing small or complex products, we can meet all your needs at the precise cleaning point. Our Cleaning Systems and other systems not only provide precise cleaning but also save time and energy. In addition, the cleaning chemicals used are water-based and our systems are environmentally friendly.



### SOLUTION PARTNER

KSP Machine, with 20 years of engineering and manufacturing experience, is committed to finding solutions to all problems of its customers in terms of parts cleaning. KSP will be your solution partner with its High Performance, Qualified & Quality Service, Flexible, Fast, responsive solutions and customer satisfaction principles as a result of these. Most of manufacturing methods such as painting, welding, assembling or packaging needs degreasing, deburring, lubrication, passivation or similar processes. We can offer various processes according to your needs. KSP is always the right solution partner to provide you the necessary cleaning systems for various manufacturing methods of yours. We are able to solve your cleaning needs with our standard products that has been manufactured so far. In the event that our existing systems are inadequate, we would like to state that we can offer you the most suitable washing system with our experience and ability.

#### Industrial Washing Machines and Systems manufactured by KSP Machine;

- Multi-Process Washing- Rinsing- Drying Machines,
- Tunnel Type Conveyor Series Washing Machines,
- Multi-Station Belt Type Washing Systems,
- Cabin Type Automatic Multiple Washing Processes,
- Top Loading High Pressure Spray Washing System with Rotary Basket,
- Front Loading High Pressure Spray Washing System with Rotary Basket,
- Diesel Particulate Filter Cleaning Machines,
- High Pressure Cabin Washing Machines,
- Platform Agitation Washings,
- Ultrasonic Cleaning Machines,
- Multistage Ultrasonic Cleaning System,
- Robot Transport Ultrasonic Cleaning System.

#### The sectors we serve as KSP are;

- Industrial Parts Washing Machines and Systems
- Automotive Repair and Maintenance Stations
- Equipment Cleaning Machines
- Aviation and Defense Industry
- Transportation and Logistics Industry
- Heavy Duty Sector
- Machining Sector
- Food Industry
- Electrical and Electronics Industry
- Medical, Optics and Dentistry
- Metalwork, Coating and Pre-Paint Preparation Systems
- Coating and Phosphate Systems
- Surface Treatment Systems





**KSP**®

**MACHINE TOOL DIVISION**

DPF SERIES  
**DIESEL PARTICULATE FILTER  
CLEANING MACHINES**



**TOUCH  
SCREEN**



**BEST  
PERFORMANCE**



**FULLY  
AUTOMATIC**



**DETAILED  
TESTING-WASHING-DRYING**

**DPF SERIES**

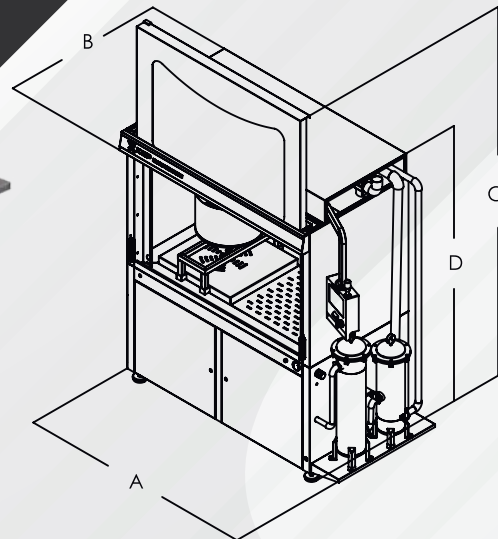
4

	<b>DPF-S900</b>	<b>DPF1800-F</b>	<b>DPF1800-PRO</b>	<b>DPF1800-PREMIUM</b>
--	-----------------	------------------	--------------------	------------------------

Cabin Capacity ( mm )	1000 x 1000 x 1125	1800 x 600 x 1000	1800 x 600 x 1000	1800 x 600 x 1000
Loading Capacity ( kg )	250	250	250	250
Stainless Steel Construction	s	s	s	s
Back Pressure Test and Printer	s	s	s	s
Drying System	s	s	s	s
HMI Touch Screen	7"	10"	10"	10"
Multilingual User Interface	s	s	s	s
Control Panel Support Arm	na	s	s	s
Operator Panels	s	s	s	s
Strongest Filter Holder	s	s	s	s
Twin SS Filtering System	na	s	s	s
30" SS Bag Filter	s	s	s	s
30" SS Multi Cartridge Filters Housing ( 5 )	na	s	s	s
Air Pressure Regulating	s	s	s	s
High Pressure Washing Gun	s	s	s	s
Air Output Valve	s	s	s	s
Cabin Air Gun	s	s	s	s
Flat Rubber Adapters	3 pcs.	4 pcs.	4 pcs.	4 pcs.
Conical Adapters	2 pcs.	2 pcs.	2 pcs.	2 pcs.
IP67 Cabin Lighting	s	s	s	s
Water Level Switch	s	s	s	s
Steam Discharge Fan	s	s	s	s
Double-Hand Control System	na	na	s	s
Safety Light Curtain	na	na	o	s
Tank Capacity ( L )	150	240	240	240
Tank insulation 19 mm Dynaflex	s	s	s	s
Electricity ( V / Phase / Hz )	380-440 / 3 / 50	380-440 / 3 / 50	380-440 / 3 / 50	380-440 / 3 / 50
Power Consumption ( kW )	20	27	27	27
Compressor Need	7 - 10 CFM, 7 - 8 bar	8 - 10 CFM, 7 - 8 bar	8 - 10 CFM, 7 - 8 bar	8 - 10 CFM, 7 - 8 bar
AISI430 Stainless Steel Material	s	s	s	s
AISI430 Stainless Steel Material	o	o	o	o
AISI430 Stainless Steel Material	o	o	o	o
Packing Size and Weight ( mm - kg )	1430 x 1170 x 2350 - 450	1080 x 2130 x 2500 - 700	1080 x 2130 x 2500 - 700	1080 x 2130 x 2500 - 700

s standard o optional na not available





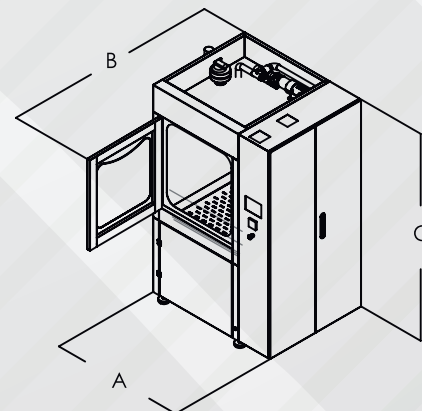
	DPF1800-F	DPF1800
A	2100	2100
B	1050	1050
C	X	3100
D	2375	2375
E	480	480

**SPECIFICATIONS**

- Stainless Steel Body
- Cleaning Process Timing
- Developed to save water, detergent and energy
- Minimum water consumption by closed circuit water cycling system
- PLC Control via Touch-Screen
- 3 Staged Stainless Steel Reusable Filtering
- Testing System with Printed Report
- A water level sensor is used to protect the pumps and heaters against dry running.
- Heating elements are made of special material incoloy alloy
- European Electrical and Technical Components
- High-performance and reliable European Pumps
- Pneumatic Front Door System
- Fully Automatic Washing Programs
- Filter Fixing Mechanism
- Connecting Apparatus for Commercial Car and Trucks
- High Pressure Washing Unit

**WORKING PRINCIPLE**

KSP Machine has developed the best automatic Diesel Particulate Filter Washing Machine with its 20 years of engineering experience. The DPF1800 was designed and programmed entirely by KSP Engineers after intensive R & D work. The DPF1800 is designed to clean Particle Filters for both passenger and commercial vehicles. Thanks to the independent Washing and Drying systems, washing and drying operations can be performed on 2 different filters at the same time. The DPF1800 provides more than 99% cleaning performance by regulations made by KSP Engineers and allows you to prove it with the help of the printed test report before and after cleaning. The test procedure is carried out by the back pressure test method, just like in cars. All functions and safety measures of the machine are controlled by PLC and Safety Relays. With pre-defined washing programs and Touch Screen, anyone can become an expert in Particulate Washing. DPF1800 is designed according to CE Norms and Safety Rules; limited for the safety of both the user and DPFs. Controls and even lighting are done with 24V DC. Filtering system on the Washing System always grants you to have clean water and let you make more efficient cleaning for the DPF' s. These changeable and washable filters protect you from any future loss or additional costs that can appear for both machine and the work you have done.



	DPF-S900
A	1450
B	1950
B <sub>close</sub>	1100
C	2200





**KSP**<sup>®</sup>  
**MACHINE TOOL DIVISION**

MW900 SERIES  
**INDUSTRIAL MANUEL WASHING  
 MACHINE WITH BRUSH**



**MW SERIES**

6



**COMPACT  
 DESIGN**



**DETAILED  
 CLEANING**



**MINIMUM  
 CONSUMPTION**



**TECHNICAL  
 SERVICE**

**MW900**

Working Area (mm)	900 x 600
Loading Capacity (kg)	50
Tank Capacity (L)	30
Electricity (V / Phase / Hz)	220 - 380 - 415 / 1 - 3 / 50 - 60
Pump Pressure (bar)	1,5
Pump Capacity (L / min)	20 - 30
Pump Quantity and Power	1 pc. x 0,5 Hp
Heater (kW)	4,5
Washing Brush	s
Air Gun	s
AISI430 Stainless Steel Material	s
AISI304 Stainless Steel Material	o
AISI316 Stainless Steel Material	o
Packing Size and Weight (mm - kg)	900 x 600 x 1100 - 110 kg

s standard o optional

**SPECIFICATIONS**

- Stainless Steel Body
- Developed to save water, detergent and energy
- Minimum water consumption by closed circuit water cycling system
- Heated water (solution) dispensed through brush to the part
- A water level sensor is used to protect the pumps and heater against dry running
- Heating elements are made of special material incoloy alloy
- European Electrical and Technical Components
- High-performance and reliable European Pump

**WORKING PRINCIPLE**

The Manual Washing Series is designed to clean small and complex parts in the fastest and most effective way. Thanks to the special brush of the Manual Washing Series, it effectively cleans even the smallest areas. Thanks to its special small design, the MW900 takes up very little space.







WM650 SERIES  
INDUSTRIAL SMALL TOP  
LOADING WASHING MACHINE



**COMPACT**  
DESIGN



**DETAILED**  
CLEANING



**MINIMUM**  
CONSUMPTION



**TECHNICAL**  
SERVICE



WM SERIES

7

	WM650	WM650-L
Basket Diameter ( mm )	550	550
Loading Height ( mm )	250	350
Loading Capacity ( kg )	150	150
Tank Capacity ( L )	60	60
Pump Pressure ( bar )	2,5	2,5
Pump Capacity ( L / min )	200 - 220	200 - 220
Pump Quantity and Power	1 pc. x 3,0 Hp	1 pc. x 3,0 Hp
Heater ( kW )	4,5	4,5
Electricity ( V / Phase / Hz )	220 - 380 - 415 / 1 - 3 / 50 - 60	220 - 380 - 415 / 1 - 3 / 50 - 60
Process Timer ( min )	0 - 90	0 - 90
Working Temperature	0 - 80°C	0 - 80°C
Rotary Basket	s	s
AISI430 Stainless Steel Material	s	s
AISI304 Stainless Steel Material	o	o
AISI316 Stainless Steel Material	o	o
Packing Size and Weight ( mm - kg )	910 x 1080 x 1150 - 180 kg	910 x 1080 x 1250 - 200 kg

s standard o optional na not available

**SPECIFICATIONS**

- Stainless Steel Body, Basket and Pipes
- Cleaning Process Timing
- Developed to save water, detergent and energy
- Minimum water consumption by closed circuit water cycling system
- Heated water (solution) dispensed through jet nozzles to the part
- High user safety on pneumatic pistons
- Belt-Pulley driven rotary table
- A water level sensor is used to protect the pumps and heaters against dry running.
- Heating elements are made of special material incoloy alloy
- European Electrical and Technical Components
- High-performance and reliable European Pump

**WORKING PRINCIPLE**

The parts which will be washed with pressured hot water and detergent mixture are placed on a rotary basket in a closed cabinet. The washing process is done through water nozzles, which are timed and compressive according to part structure, dirtiness rate; they clean the waste, oil, and chip on dirty surfaces in various angles. Machine has been designed for minimum consuming the water, detergent, electric, and time (work force) with cyclic and filtering water system.





# KSP®

## MACHINE TOOL DIVISION

### WM850-1000-1250 SERIES INDUSTRIAL TOP LOADING WASHING MACHINES



**COMPACT**  
DESIGN



**HIGH**  
PERFORMANCE



**MINIMUM**  
CONSUMPTION



**TECHNICAL**  
SERVICE

WM SERIES

#### WM850

#### WM1000

#### WM1250

	WM850	WM1000	WM1250
Basket Diameter ( mm )	750	900	1150
Loading Height ( mm )	350	450	600
Loading Capacity ( kg )	150	300	450
Tank Capacity ( L )	60	80	200
Pump Pressure ( bar )	2,5	2,5	2,5
Pump Capacity ( L / min )	200 - 220	200 - 220	200 - 220
Pump Quantity and Power	1 pc. x 3,0 Hp	1 pc. x 3,0 Hp	1 pc. x 3,0 Hp
Heater ( kW )	7,5	7,5	15
Electricity ( V / Phase / Hz )	220 - 380 - 415 / 1 - 3 / 50 - 60	220 - 380 - 415 / 1 - 3 / 50 - 60	220 - 380 - 415 / 1 - 3 / 50 - 60
Process Timer ( min )	0 - 90	0 - 90	0 - 90
Working Temperature	0 - 80°C	0 - 80°C	0 - 80°C
Loading Vehicle	na	o	s
Rotary Basket	s	s	s
Oil Skimmer	na	s	s
AISI430 Stainless Steel Material	s	s	s
AISI304 Stainless Steel Material	o	o	o
AISI316 Stainless Steel Material	o	o	o
Packing Size and Weight ( mm - kg )	1225 x 880 x 1265 - 180 kg	1360 x 1130 x 1310 - 250 kg	1570 x 1280 x 1550 - 450 kg

s standard o optional na not available





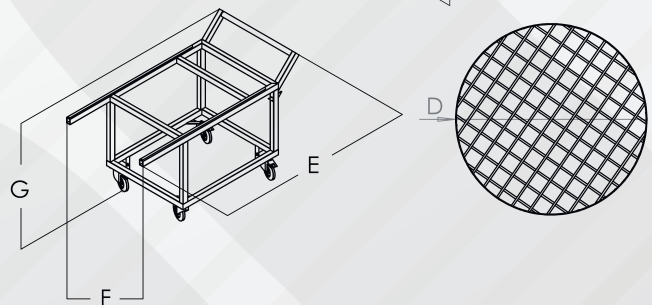
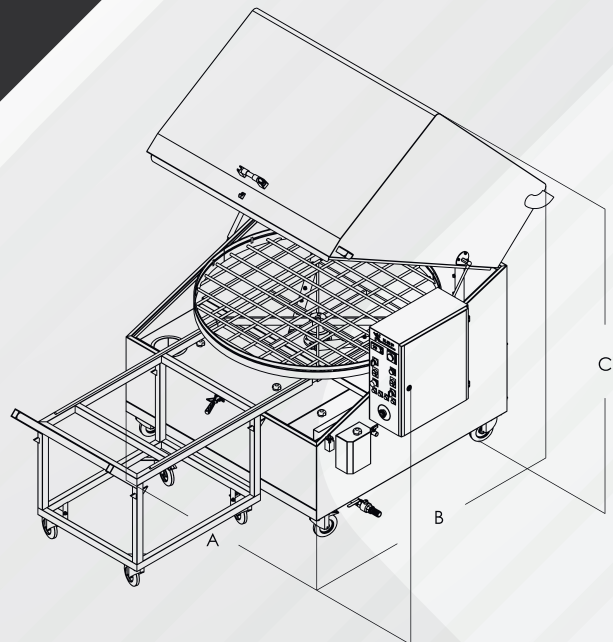


**SPECIFICATIONS**

- Stainless Steel Body, Basket and Pipes
- Cleaning Process Timing
- Developed to save water, detergent and energy
- Minimum water consumption by closed circuit water cycling system
- Heated water (solution) dispensed through jet nozzles to the part
- High user safety on pneumatic pistons
- Belt-Pulley driven rotary table
- A water level sensor is used to protect the pumps and heaters against dry running
- Heating elements are made of special material incoloy alloy
- European Electrical and Technical Components
- High-performance and reliable European Pump

**WORKING PRINCIPLE**

The parts which will be washed with pressured hot water and detergent mixture are placed on a rotary basket in a closed cabinet. The washing process is done through water nozzles, which are timed and compressive according to part structure, dirtiness rate; they clean the waste, oil, and chip on dirty surfaces in various angles. Machine has been designed for minimum consuming the water, detergent, electric, and time (work force) with cyclic and filtering water system.



	WM850	WM1000	WM1250
A	1200	1350	1575
B	1250	1350	1550
C	1575	1750	2050
C <sub>Close</sub>	1125	1170	1300
D	750	910	1150
E	X	X	1350
F	X	X	650
G	X	X	800





**KSP**®

**MACHINE TOOL DIVISION**

WM1500-1750-2000 SERIES  
**INDUSTRIAL FRONT LOADING  
WASHING MACHINES**



**WM SERIES**

10



**COMPACT  
DESIGN**



**HIGH  
PERFORMANCE**



**MINIMUM  
CONSUMPTION**



**TECHNICAL  
SERVICE**

	<b>WM1500</b>	<b>WM1750</b>	<b>WM2000</b>
Basket Diameter ( mm )	1350	1600	1850
Loading Height ( mm )	700	800	900
Loading Capacity ( kg )	650	750	850
Tank Capacity ( L )	300	300	400
Pump Pressure ( bar )	2,5	2,5	2,5
Pump Capacity ( L / min )	200 - 220 ( Total: 400-450 )	200 - 220 ( Total: 600-650 )	200 - 220 ( Total: 600-650 )
Pump Quantity and Power	2 pcs. x 3,0 Hp	3 pcs. x 3,0 Hp	3 pcs. x 3,0 Hp
Heater ( kW )	15	15	22,5
Electricity ( V / Phase / Hz )	220 - 380 - 415 / 1 - 3 / 50 - 60	220 - 380 - 415 / 1 - 3 / 50 - 60	220 - 380 - 415 / 1 - 3 / 50 - 60
Process Timer ( min )	0 - 90	0 - 90	0 - 90
Working Temperature	0 - 80°C	0 - 80°C	0 - 80°C
Loading Vehicle	s	s	s
Rotary Basket	s	s	s
Oil Skimmer	s	s	s
Drying Unit	o	o	o
30" Precision Bag Filter System	o	o	o
30" Precision Cartridge Filter System	o	o	o
Safety Light Barrier	o	o	o
Process Height Adjustment System	o	o	o
Automatic Basket Loading System	o	o	o
Steam Extraction System	o	o	o
Mist Collector Unit	o	o	o
PLC Control and Touch-Screen	o	o	o
Water Level Control and Automatic Feeding	s	s	s
AISI430 Stainless Steel Material	s	s	s
AISI304 Stainless Steel Material	o	o	o
AISI316 Stainless Steel Material	o	o	o
Packing Size and Weight ( mm - kg )	1970 x 1610 x 2220 - 700 kg	2230 x 1990 x 2220 - 750 kg	2480 x 2210 x 2500 - 800 kg

s standard o optional na not available



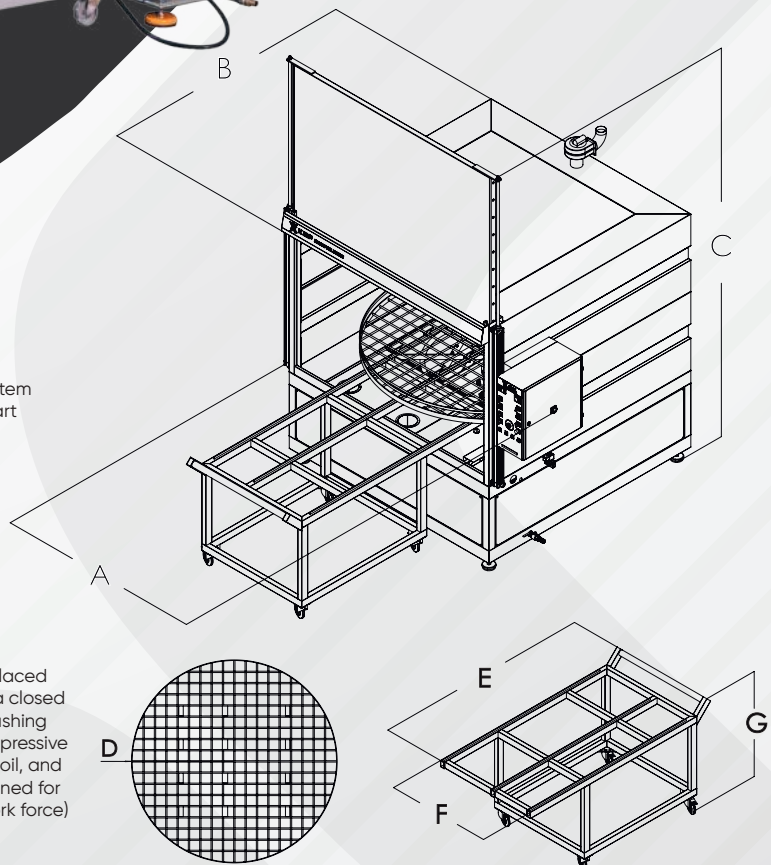


**SPECIFICATIONS**

- Stainless Steel Body, Basket and Pipes
- Cleaning Process Timing
- Developed to save water, detergent and energy
- Minimum water consumption by closed circuit water cycling system
- Heated water (solution) dispensed through jet nozzles to the part
- High user safety on pneumatic pistons
- Belt-Pulley driven rotary table
- A water level sensor is used to protect the pumps and heaters against dry running
- Heating elements are made of special material incoloy alloy
- European Electrical and Technical Components
- High-performance and reliable European Pumps
- Pneumatic Front Door System

**WORKING PRINCIPLE**

The parts which will be washed are placed on a basket that is placed on a stainless rotary platform with sliding system are washed in a closed cabinet with pressured hot water and detergent mixture. The washing process is done through water nozzles which are timed and compressive according to part structure, dirtiness rate; they clean the waste, oil, and chip on dirty surfaces in various angles. Machine has been designed for minimum consuming the water, detergent, electric, and time (work force) with cyclic and filtering water system.



	WM1500	WM1750	WM2000
A	1950	2200	2450
B	1600	1900	2100
C	3000	3000	3475
C <sub>close</sub>	2075	2100	2375
D	1350	1600	1850
E	1500	1750	2000
F	850	850	1000
G	1000	1050	1050





**KSP**®

**MACHINE TOOL DIVISION**

PURGE XLARGE1250-1500-1750-2000 SERIES  
**MULTI PROCESS WASHING-RINSING-DRYING  
 MACHINE**



**PURGE XLARGE**

12



**DETAILED  
CLEANING**



**ALL IN ONE  
DESIGN**



**SPECIAL  
DESIGN**

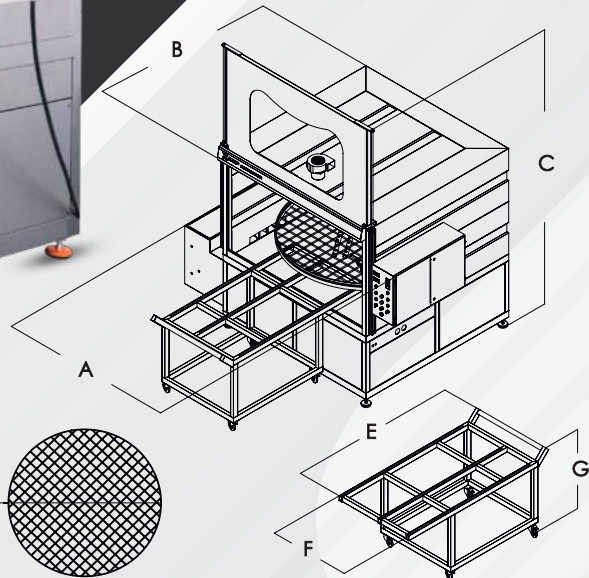


**AUTOMATION  
CONTROL**

	PURGE XL1250	PURGE XL1500	PURGE XL1750	PURGE XL2000
Basket Diameter ( mm )	1150	1350	1600	1850
Loading Height ( mm )	600	700	800	900
Loading Capacity ( kg )	450	650	750	850
Washing Tank Capacity ( L )	250	400	400	450
Rinsing Tank Capacity ( L )	250	200	250	450
Pump Pressure ( bar )	2,5	2,5	2,5	2,5
Pump Capacity ( L / min )	200 - 220 ( W: 200-220 / R: 200-220 )	200 - 220 ( W: 400-450 / R: 200-220 )	200 - 220 ( W: 400-450 / R: 200-220 )	200 - 220 ( W: 400-450 / R: 400-450 )
Pump Quantity and Power	2 pcs. x 3,0 Hp	3 pcs. x 3,0 Hp	3 pcs. x 3,0 Hp	4 pcs. x 3,0 Hp
Heater ( kW )	15	15	15	22,5
Electricity ( V / Phase / Hz )	220 - 380 - 415 / 1 - 3 / 50 - 60	220 - 380 - 415 / 1 - 3 / 50 - 60	220 - 380 - 415 / 1 - 3 / 50 - 60	220 - 380 - 415 / 1 - 3 / 50 - 60
Process Timer ( min )	0 - 90	0 - 90	0 - 90	0 - 90
Working Temperature	0 - 80°C	0 - 80°C	0 - 80°C	0 - 80°C
Loading Vehicle	s	s	s	s
Rotary Basket	s	s	s	s
Oil Skimmer	s	s	s	s
Drying Unit	o	o	o	o
30° Precision Bag Filter System	o	o	o	o
30° Precision Cartridge Filter System	o	o	o	o
Safety Light Barrier	o	o	o	o
Process Height Adjustment System	na	o	o	o
Automatic Basket Loading System	o	o	o	o
Steam Extraction System	o	o	o	o
Mist Collector Unit	o	o	o	o
PLC Control and Touch-Screen	o	o	o	o
Water Level Control and Automatic Feeding	s	s	s	s
AISI430 Stainless Steel Material	s	s	s	s
AISI304 Stainless Steel Material	o	o	o	o
AISI316 Stainless Steel Material	o	o	o	o
Packing Size and Weight ( mm - kg )	2060 x 1750 x 1940 - 600 kg	2000 x 2360 x 2450 - 750 kg	2930 x 2040 x 2590 - 850 kg	3070 x 2250 x 3740 - 950 kg

s standard o optional na not available





PURGE XLARGE

13

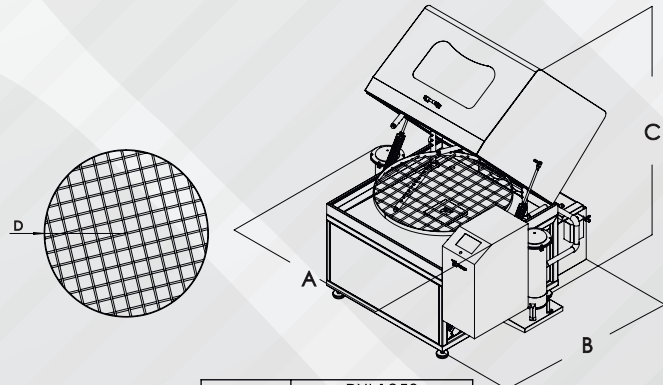
**SPECIFICATIONS**

- Stainless Steel Body, Basket and Pipes
- Cleaning Process Timing
- Developed to save water, detergent and energy
- Minimum water consumption by closed circuit water cycling system
- Heated water (solution) dispensed through jet nozzles to the part
- High user safety on pneumatic pistons
- Belt-Pulley driven rotary table
- A water level sensor is used to protect the pumps and heaters against dry running
- Heating elements are made of special material incoloy alloy
- European Electrical and Technical Components
- High-performance and reliable European Pumps
- Pneumatic Front Door System

	PXL1500	PXL1750	PXL2000
A	2650	2900	3150
B	1600	1825	2075
C	3100	3350	3400
C <sub>close</sub>	2250	2400	2500
D	1350	1600	1850
E	1500	1775	2000
F	850	850	1000
G	1100	1050	1050

**WORKING PRINCIPLE**

The parts which will be washed are placed on a basket that is placed on a stainless rotary platform with sliding system are washed in a closed cabinet with pressured hot water and detergent mixture. The washing process is done through water nozzles which are timed and compressive according to part structure, dirtiness rate; they clean the waste, oil, and chip on dirty surfaces in various angles. Rinsing process follows washing process and completes the cleaning of the parts in the system. After cleaning processes drying process starts, which works with hot air and air jets. When all processes are done all parts will be ready for the next processes like packing, coating etc. PURGE XLARGE has been designed for minimum consuming the water, detergent, electric, and time (work force) with cyclic and filtering water system.



	PXL1250
A	2050
B	1875
C	2350
C <sub>close</sub>	1800
D	575



**KSP**®

**MACHINE TOOL DIVISION**

**ALL IN ONE Q135-Q160-Q185  
MULTI PROCESS  
WASHING-RINSING-DRYING  
MACHINE WITH HIGH  
PRESSURE STATION**



**ALL IN ONE SERIES**

14



**DETAILED  
CLEANING**



**ALL IN ONE  
DESIGN**



**SPECIAL  
DESIGN**



**AUTOMATION  
CONTROL**

	<b>ALL IN ONE Q135</b>	<b>ALL IN ONE Q160</b>	<b>ALL IN ONE Q185</b>
Basket Diameter ( mm )	1350	1600	1850
Loading Height ( mm )	700	800	900
Loading Capacity ( kg )	650	750	850
Washing Unit	s	s	s
Washing Tank Capacity ( L )	400	400	450
Pump Quantity and Power	2 pcs. x 3,0 Hp	2 pcs. x 3,0 Hp	2 pcs. x 3,0 Hp
Rinsing Unit	s	s	s
Rinsing Tank Capacity ( L )	200	250	450
Rinsing Unit Pump Pcs. and Power	1 pc. x 3,0 Hp	1 pc. x 3,0 Hp	2 pcs. x 3,0 Hp
High-Pressure Unit	s	s	s
High-Pressure Tank ( L )	120	120	120
High-Pressure Unit Pump Pcs. and Power	1 pc. x 150,0 bar	1 pc. x 150,0 bar	1 pc. x 150,0 bar
Heater ( kW )	3 pcs. x 7,5 kW	3 pcs. x 7,5 kW	4 pcs. x 7,5 kW
Electricity ( V / Phase / Hz )	220 - 380 - 415 / 3 / 50 - 60	220 - 380 - 415 / 3 / 50 - 60	220 - 380 - 415 / 3 / 50 - 60
Timer ( min )	0 - 90	0 - 90	0 - 90
Automatic Washing Unit Thermostat	0 - 80°C	0 - 80°C	0 - 80°C
Manual Washing Unit Thermostat	0 - 50°C	0 - 50°C	0 - 50°C
Drying Unit	o	o	o
Manual Loading Vehicle	s	s	s
Automatic Basket Loading System	o	o	o
Rotary Basket	s	s	s
Oil Skimmer ( Washing Tank )	s	s	s
Precision Filtration (Rinsing Tank)	o	o	o
Touch Screen - PLC Control	o	o	o
Safety Light Barrier	o	o	o
Water Level Control and Automatic Feeding	s	s	s
Steam Extraction System	s	s	s
Door Security System	o	o	o
AISI430 Stainless Steel Body	s	s	s
AISI304 Stainless Steel Body	o	o	o
AISI316 Stainless Steel Body	o	o	o

■ standard ● optional



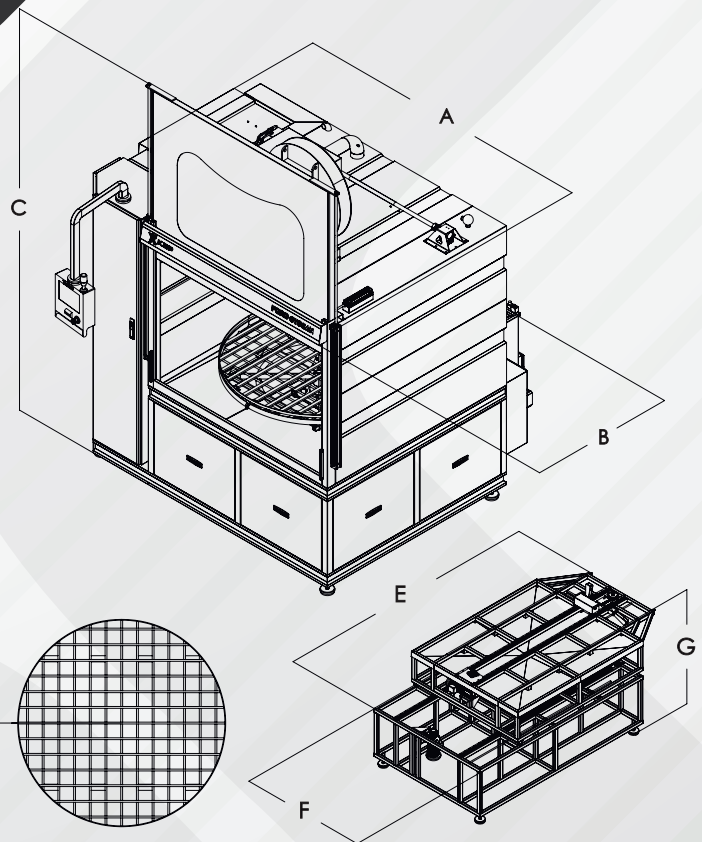
**SPECIFICATIONS**

- Stainless Steel Body, Basket and Pipes
- Cleaning Process Timing
- Developed to save water, detergent and energy
- Minimum water consumption by closed circuit water cycling system
- Heated water (solution) dispensed through jet nozzles to the part
- High user safety on pneumatic pistons
- Belt-Pulley driven rotary table
- A water level sensor is used to protect the pumps and heaters against dry running
- Heating elements are made of special material incoloy alloy
- European Electrical and Technical Components
- High-performance and reliable European Pumps
- Pneumatic Front Door System

**WORKING PRINCIPLE**

Some will tell you that you need 2-3 machines for these operations. But KSP R&D team developed ALL in ONE for 4-5 solutions in one machine and to save space. ALL in ONE, whose design and production is completely owned by KSP Machine; With the feature of being the first and only Automatic Spray Washing-Rinsing and Manual High Pressure Unit Parts Washing Machine; It is one of the designs that proves KSP's leadership in the industry.

It is a faster and more effective cleaning solution to carry out other operations after High Pressure Washing, especially for burnt oil, resin, mechanical dirt and similar dirt that is difficult to clean. On top of that, if your cleaning standards require sensitive cleaning, you may need to apply washing, rinsing and drying processes. This is where ALL in ONE comes into play. Thanks to its compact design, you can save the space required by 2 machines and do all these processes in a single machine. According to preference and application, washing quality can be increased by adding different processes and features such as Drying, Precision Filtration, Automatic Platform, Automatic Loading.



	ALL IN ONE
A	2500
B	2750
C	3350
C <sub>CLOSE</sub>	3100
D	1350
E	2560
F	1400
G	1175





**KSP**®

**MACHINE TOOL DIVISION**

**DUAL JET X12-X14-X16-X18**  
**INDUSTRIAL FRONT LOADING WASHING**  
**MACHINE WITH HIGH-PRESSURE STATION**



**DETAILED**  
CLEANING



**ALL IN ONE**  
DESIGN



**FULLY**  
AUTOMATIC



**TECHNICAL**  
SERVICE



**DUAL JET SERIES**

16

	DUAL JET X12	DUAL JET X14	DUAL JET X16	DUAL JET X18
Basket Diameter ( mm )	1200	1400	1600	1800
Loading Height ( mm )	700	700	800	900
Loading Capacity ( kg )	500	650	750	850
Washing Tank Capacity ( L )	250	300	350	450
Pump Pressure ( bar )	2,5	2,5	2,5	2,5
Pump Capacity ( L / min )	200 - 220	200 - 220 ( Total: 400-450 )	200 - 220 ( W: 600 - 650 )	200 - 220 ( W: 600 - 650 )
Pump Quantity and Power	1 pc. x 3,0 Hp	2 pcs. x 3,0 Hp	3 pcs. x 3,0 Hp	3 pcs. x 3,0 Hp
High-Pressure Pump Capacity ( L / min )	14	14	14	14
High-Pressure Pump Pressure ( bar )	60 ( 150 bar optional )	60 ( 150 bar optional )	60 ( 150 bar optional )	60 ( 150 bar optional )
Heater ( kW )	15	22,5	22,5	22,5
Electricity ( V / Phase / Hz )	220 - 380 - 415 / 1 - 3 / 50 - 60	220 - 380 - 415 / 1 - 3 / 50 - 60	220 - 380 - 415 / 1 - 3 / 50 - 60	220-380-415/3-1/50-61
Process Timer ( min )	0 - 90	0 - 90	0 - 90	0 - 90
Working Temperature	0 - 80°C	0 - 80°C	0 - 80°C	0 - 80°C
Loading Vehicle	s	s	s	s
Rotary Basket	s	s	s	s
Oil Skimmer	s	s	s	s
Drying Unit	o	o	o	o
30" Precision Bag Filter System	o	o	o	o
30" Precision Cartridge Filter System	o	o	o	o
Safety Light Barrier	o	o	o	o
Process Height Adjustment System	o	o	o	o
Automatic Basket Loading System	o	o	o	o
Steam Extraction System	o	o	o	o
Mist Collector Unit	o	o	o	o
PLC Control and Touch-Screen	o	o	o	o
Water Level Control and Automatic Feeding	s	s	s	s
AISI430 Stainless Steel Material	s	s	s	s
AISI304 Stainless Steel Material	o	o	o	o
AISI316 Stainless Steel Material	o	o	o	o
Packing Size and Weight ( mm - kg )	1820 x 1530 X 2410 - 600 kg	1920 x 2020 x 2440 - 700 kg	2220 x 1930 x 2510 - 800 kg	2430 x 2320 x 2640 - 950 kg

s standard o optional



**SPECIFICATIONS**

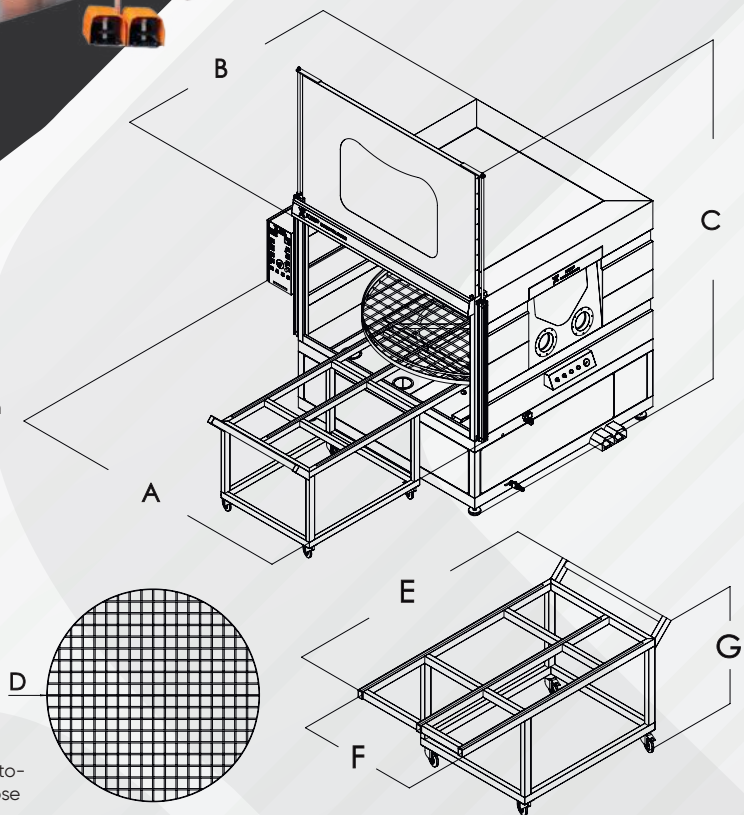
- Stainless Steel Body, Basket and Pipes
- Cleaning Process Timing
- Developed to save water, detergent and energy
- Minimum water consumption by closed circuit water cycling system
- Heated water (solution) dispensed through jet nozzles to the part
- High user safety on pneumatic pistons
- Belt-Pulley driven rotary table
- A water level sensor is used to protect the pumps and heaters against dry running
- Heating elements are made of special material incoloy alloy
- European Electrical and Technical Components
- High-performance and reliable European Pumps
- Pneumatic Front Door System

**WORKING PRINCIPLE**

KSP aims to maintain its leadership in the sector with its Dual Jet Automatic Spray and Manual High Pressure Parts Washing Machine, whose design and production is completely owned by KSP Machine.

The feature that distinguishes our Dual Jet Series model from other rotary basket models is its double unit and captures high cleaning sensitivity. By the help of high-pressure unit, DualJet Series grant access to surfaces on complex parts that Automatic Spray Washing System with rotary basket cannot clean. Also, it grants better cleaning results and higher affect on hard dirt. Thanks to the features of DualJet, it increases the washing sensitivity by decreasing the washing time.

Dual Jet Series is designed to save operating costs and time. Appropriate washing time, washing temperature and washing chemicals are determined according to the material and pollution of the part to be washed. The machine is capable of automatic spray washing, manual high pressure washing and optional drying process. Dual Jet Series is designed to save operating costs and time.



	X12	X14	X16	X18
A	1725	1975	2200	2500
B	1450	1650	1900	2100
C	3025	3100	3100	3400
C <sub>Close</sub>	2150	2250	2400	2600
D	1200	1400	1600	1850
E	1500	1600	1850	2050
F	750	750	1000	1000
G	1050	1050	1050	1050





**KSP**®

**MACHINE TOOL DIVISION**

HPWM800-1100  
HPWM800-AC / 1100-AC  
**HIGH PRESSURE  
WASHING CABIN SERIES**



**HPWM SERIES**

18



**DETAILED  
CLEANING**



**AUTOMATIC  
DOOR**



**ARTICULATED  
CABIN**



**FULL  
CONTROL**

	<b>HPWM800</b>	<b>HPWM1100</b>	<b>HPWM800-AC</b>	<b>HPWM1100-AC</b>
Dimensions of Working Area (mm)	800 x 550	1100 x 700	800 x 550	1100 x 700
Loading Height of the Part (mm)	800	800	800	800
Loading Capacity (kg)	70	100	70	100
Tank Capacity (L)	70	120	70	120
Pump Pressure	60 (150 bar optional)	60 (150 bar optional)	60 (150 bar optional)	60 (150 bar optional)
Pump Capacity (L / min)	14	14	14	14
Pump Quantity and Power	1 pc. x 3,0 Hp	1 pc. x 3,0 Hp	1 pc. x 3,0 Hp	1 pc. x 3,0 Hp
Heater (kW)	9	9	9	9
Electricity (V / Phase / Hz)	220 - 380 - 415 / 1 - 3 / 50 - 60	220 - 380 - 415 / 1 - 3 / 50 - 60	220 - 380 - 415 / 1 - 3 / 50 - 60	220 - 380 - 415 / 1 - 3 / 50 - 60
Pressure Regulating Valves	s	s	s	s
Manometer	s	s	s	s
Air supply (bar)	6 - 7	6 - 7	6 - 7	6 - 7
Temperature	0 - 50°C	0 - 50°C	0 - 50°C	0 - 50°C
Oil Skimmer	o	o	o	o
Foot Switch	s	s	s	s
High Pressure Water Gun	s	s	s	s
Stainless Steel Filter Basket	s	s	s	s
Air Gun for Drying	s	s	s	s
Interior Lighting	s	s	s	s
Air Jet Cleaning Windows	o	o	o	o
Cleaning Wiper	s	s	s	s
Loading System	pneumatic front door	pneumatic front door	articulated cabin	articulated cabin
AISI430 Stainless Steel Material	s	s	s	s
AISI304 Stainless Steel Material	o	o	o	o
AISI316 Stainless Steel Material	o	o	o	o
Packing Size and Weight (mm - kg)	1300 x 720 x 2020 - 325 kg	1330 x 730 x 2000 - 350 kg	1300 x 790 x 1960 - 325 kg	1330 x 830 x 2060 - 350 kg

s standard o optional



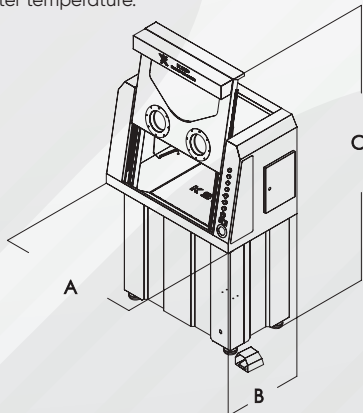


**WORKING PRINCIPLE**

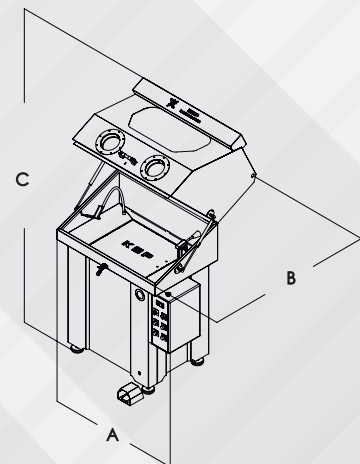
HPWM Series High Pressure Washing Cabinet Series Machines are designed to wash small and complex parts with high pressure and heated water. Thanks to the foot switch, it provides the operator with a much easier and controlled washing experience. The high-water flow and high pressure in the pump provide excellent cleaning. Hot water increases the cleaning effect, and the insulated tank minimizes energy loss. Good lighting in the washing cabin and the cleaning wiper on the window make it easy to see the part and increase operator control during washing. The air gun inside the cabinet helps to dry after washing. There are 3 separate filters in the machine. One is at the tank entrance, the second at the tank exit and third is on the pump line. Thanks to this filtering system, the life of the machine, water and detergent usage life is extended. All filters can be washed and reused so that extra costs are prevented. You will have full control of the machine thanks to the indicator and manometer that you can observe the water temperature.

**SPECIFICATIONS**

- Stainless Steel Body
- Developed to save water, detergent and energy
- Minimum water consumption by closed circuit water cycling system
- Heated water (solution) dispensed through Washing Gun to the part
- High user safety on pneumatic pistons
- A water level sensor is used to protect the pumps and heaters against dry running
- Heating elements are made of special material incoloy alloy
- European Electrical and Technical Components
- High-performance and reliable European Pumps



	HPWM800	HPWM1100
A	1175	1300
B	700	700
C	2375	2375
C <sub>close</sub>	1875	1875



	HPWM800-AC	HPWM1100-AC
A	1275	1300
B	1000	1150
C	2050	2100
C <sub>close</sub>	1850	1950



**KSP**®

**MACHINE TOOL DIVISION**

HPWM EVO S1-S2  
**HIGH PRESSURE WASHING CABIN WITH  
 ROTARY BASKET AND BRUSH**



**DETAILED  
 CLEANING**



**AUTOMATIC  
 DOOR**



**BEST  
 PERFORMANCE**



**FULL  
 CONTROL**

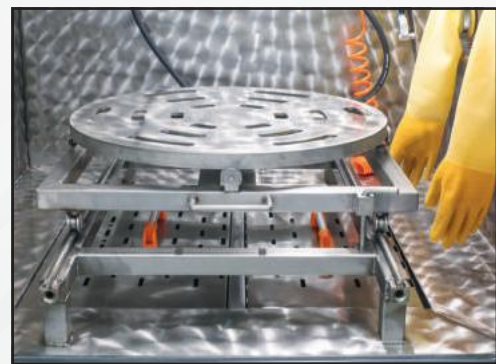


**HPWM EVO SERIES**

20

	<b>HPWM EVO-S1</b>	<b>HPWM EVO-S2</b>
Working Space ( mm )	1100 x 1000	1300 x 1200
Basket diameter ( mm )	600	750
Maximum loading height ( mm )	600	600
Maximum loading weight ( kg )	300	400
Tank Capacity ( L )	150	175
High pressure pump	s	s
High pressure pump capacity ( bar )	60 ( 150 bar optional )	60 ( 150 bar optional )
Pump Volume ( L / min )	14	14
High pressure pump motor ( kW )	1,1	1,1
Pressure unloader valve	s	s
Manometer	s	s
Hand brush washing	s	s
Hand Brush washing pump ( kW )	0,75 up to 1,5	0,75 up to 1,5
Hand Brush washing pump volume ( L / min )	20	20
Heater ( kW )	15	15
Temperature	0 - 50°C	0 - 50°C
Electricity ( V / Phase / Hz )	220 - 380 - 415 / 3 / 50	220 - 380 - 415 / 3 / 50
Control Box Voltage ( VDC )	24	24
Air Pressure Needed ( bar )	6 - 7	6 - 7
Foot Switch	s	s
Pneumatic Piston Front Door	s	s
Side Door Opening	manuel	manuel
Manual Rotary Table	s	s
Automatic Rotary Table	o	o
High Pressure Washing Gun	s	s
Hand Brush	s	s
Air Gun	s	s
Water Level Switch	s	s
Automatic Water Feeder	s	s
Stainless Steel Mesh Filter	s	s
Precision Filtration	o	o
Cabin Lighting System	s	s
Motorized Windscreen Wiper	s	s
Loading Trolley	s	s
AISI430 Stainless Steel Material	s	s
AISI430 Stainless Steel Material	o	o
AISI430 Stainless Steel Material	o	o
Packing Size and Weight ( mm - kg )	1420 x 1030 x 2120 - 400 kg	1480 x 1250 x 2130 - 500 kg

• standard • optional





**SPECIFICATIONS**

- Stainless Steel Body, Basket and Pipes
- Developed to save water, detergent and energy
- Minimum water consumption by closed circuit water cycling system
- Heated water (solution) dispensed through Washing Gun to the part
- High user safety on pneumatic pistons
- A water level sensor is used to protect the pumps and heaters against dry running
- Heating elements are made of special material incoloy alloy
- European Electrical and Technical Components
- High-performance and reliable European Pumps

**WORKING PRINCIPLE**

HPWM EVO has additionally great specification like as;

- Left side door for easy loading
- Trolley with external loading
- Turntable in order to effectively clean parts
- Best viewing window during washing with motorized windscreen wiper
- IP67 LED lighting system for exceptional visibility
- All in the compact cabinet

Cleaning heavy engine blocks and other greasy components are very easy now, thanks to KSP's new HPWM EVO.

HPWM EVO High Pressure and Brush Washing Machine with Rotary table, is designed to wash heavy and complex parts with high pressured water based solution and brushing unit.

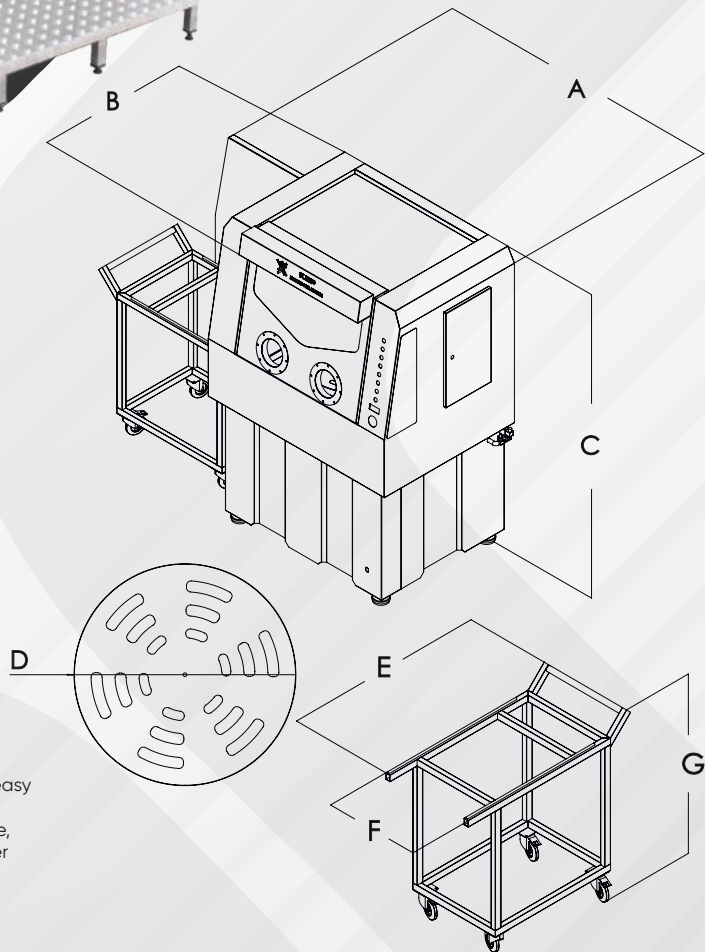
HPWM EVO has providing effective washing a variety of heavy and complex parts with foot pedal operated high pressure pump and foot pedal operated brush washing.

Trolley with external loading and turning table:

Trolley turntable where heavy items are to be processed it is often easier to load these items externally to the washing cabinet using an overhead crane or forklift truck.

Turntable is an extremely useful system. A fixed turntable inside the machine enables easy maneuverability of the components to be washed. This turntable can run with gear-driven (o), but in standard model can be turned by hand.

HPWM Evo Series, with manual or automatic rotary basket according to your preference, provide the operator with a much easier and controlled washing experience.



	HPWM EVO S1	HPWM EVO S2
A	2175	2400
B	1000	1175
C	2000	2000
D	600	680
E	1150	1200
F	580	660
G	1075	1075





**KSP**<sup>®</sup>  
**MACHINE TOOL DIVISION**

PAW400-800-1000  
**PLATFORM AGITATION WASHING MACHINES**



**PAW SERIES**

22



	PAW400	PAW800	PAW1000
Loading Capacity ( kg )	400	800	1000
Inside Tank Material Stainless Steel	AISI304	AISI304	AISI304
Platform ( mm )	900 x 700	1100 x 700	1300 x 900
Solution Volume ( L )	800	1200	1900
Solution Depth ( mm )	800	900	1100
Electricity ( V / Hz / Phase )	220 - 380 - 415 / 1 - 3 / 50 - 60	220 - 380 - 415 / 1 - 3 / 50 - 60	220 - 380 - 415 / 1 - 3 / 50 - 60
Filtering System	2 Hp Recirculation Pump, 500 - Micron Filter	2 Hp Recirculation Pump, 500 - Micron Filter	2 Hp Recirculation Pump, 500 - Micron Filter
Pneumatic Platform Movement System	s	s	s
Platform Movement ( mm - Height of the part )	400	500	700
Heating resistance ( kW - Pcs. )	7,5 x 4	7,5 x 4	7,5 x 4
PLC Control and HMI	s	s	s
Cycle	o	o	o
Thermostat	0 - 80°C	0 - 80°C	0 - 80°C
Control Voltage ( VDC )	24	24	24
Required Air Pressure ( bar )	8 - 10	8 - 10	8 - 10
Agitation	Fast or Slow Agitation Speed	Fast or Slow Agitation Speed	Fast or Slow Agitation Speed
Cover Lift System	o	s	s
AISI430 Stainless Steel Material	s	s	s
AISI304 Stainless Steel Material	o	o	o
AISI316 Stainless Steel Material	o	o	o

■ standard    ● optional





# PAW PLUS FULL AUTOMATIC PLATFORM AGITATION AND ROTATION WASHING MACHINE



PAW SERIES

23

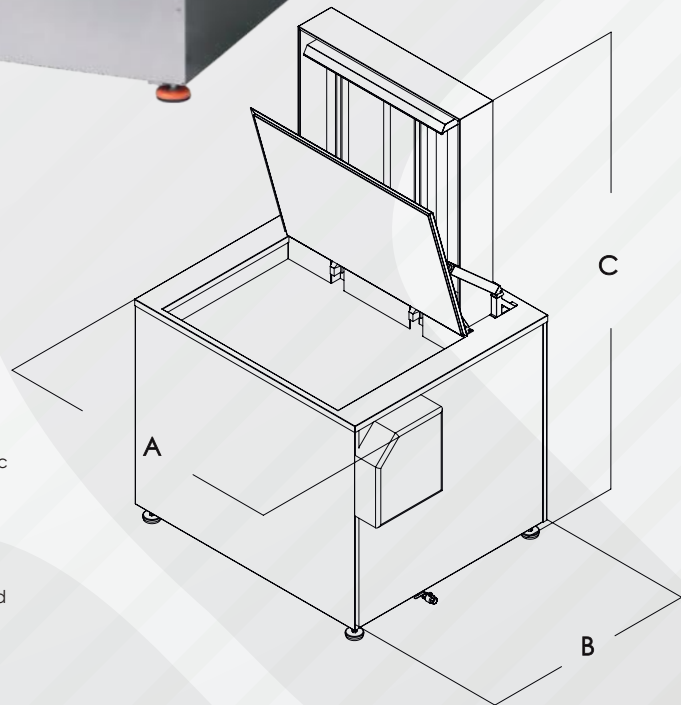
### SPECIFICATIONS

- Stainless Steel Body
- Stainless Steel Platform and Piping
- Stainless Steel Precision Filtration System
- Platform Agitation
- 360 Degree Rotation Capability
- Chip Separation Conveyor
- Right and Left Oscillation in the Desired Angle Range
- Water Level Control and Resistance-Pump Protection System
- PLC Control - Touch screen
- European Electrical and Technical Components
- Electric Leakage Protection and 24V Control System
- Emergency Button

### WORKING PRINCIPLE

**PAW SERIES** are the top of the line design of the traditional pneumatic driven platform agitation part washers. It is ideal for use in many industries including transportation, metalworking, printing, and reconditioning. The movement of parts within the liquid reduces dramatically the washing time and improves the cleaning efficiency, without negatively affecting the duration of the cleaning media. KSP Machine PAW series are designed for the removal of oils, chips, and particulate from a wide range of components by using water-based detergents and environmentally safe solvent chemistries. All controls have been doing by PLC control unit.

**PAW PLUS SERIES** is the design of KSP that creates a new washing method by blending platform movable immersion tanks with the latest and best technology. KSP; Along with the standard PAW series models, the PAW Plus model was designed as a result of R&D studies in line with customer needs. PAW Plus provides effective washing of especially complex workpieces in many industries. In sectors such as Automotive, Metalworking, Aerospace and Heavy Industry, specific workpieces with a complex structure are fixed in a fixture, rotated 360 degrees in the immersion tank, shaken and created a jacuzzi (agitation) effect, such as oil removal, chip removal after machining, part cleaning and paint removal. It allows you to implement processes. It will be sufficient to change the detergent according to your process needs. All process controls of PAW Plus are managed via PLC. Thanks to its touch screen and perfect design, all control is in your hands.. We recommend that you contact us about all industrial parts washing machines, systems and projects that require a washing process.



	PAW400	PAW800	PAW1000
A	1450	1650	1875
B	1275	1275	1475
C	2250	2450	2850



**KSP**<sup>®</sup>  
**MACHINE TOOL DIVISION**

UWM600-800-900-1300  
**ULTRASONIC WASHING MACHINES**



**UWM SERIES**

24



**ULTRASONIC WASHER**



**SPECIAL DESIGN**



**FULLY AUTOMATIC**



**TOUCH SCREEN**

	<b>UWM600</b>	<b>UWM800</b>	<b>UWM900</b>	<b>UWM1300</b>	<b>UWM1300-S</b>
Internal Tank ( mm )	600 × 450 × 450	800 × 500 × 500	900 × 650 × 650	1300 × 800 × 750	1300 × 800 × 750
Internal Tank Capacity ( L )	100	160	350	720	720
Inside Tank Material Stainless Steel	AISI304	AISI304	AISI304	AISI304	AISI304
Platform ( mm )	550 x 300	750 x 400	850 x 500	1250 x 700	1250 x 700
Platform Elevator	o	o	s	s	s
Automatic Cover (Opening and Closing)	o	o	s	s	s
Loading weight ( kg )	75	150	250	400	400
Ultrasound Power ( Weff / Wpeak )	750 / 1500	1500 / 3000	3000 / 6000	4500 / 9000	6000 / 12000
Frequency ( kHz )	27	27	27	27	27
Heating resistance ( kW )	4,5	7,5	9	15	15
PLC Control and Touch-Screen	o	o	s	s	s
Elektric ( V / Faz / Hz )	220 - 380 - 415 / 1 - 3 / 50 - 60	220 - 380 - 415 / 1 - 3 / 50 - 60	220 - 380 - 415 / 1 - 3 / 50 - 60	220 - 380 - 415 / 1 - 3 / 50 - 60	220 - 380 - 415 / 1 - 3 / 50 - 60
Timer ( min )	0 - 90	0 - 90	o	o	o
Thermostat	0 - 80°C	0 - 80°C	0 - 80°C	0 - 80°C	0 - 80°C
Oil Separator	na	na	s	s	s
Water Level Control and Automatic Feeding System	o	o	o	s	s
30" Precision Bag Filter System	o	o	o	o	o
30" Precision Cartridge Filter System	o	o	o	o	o

s standard o optional na not available





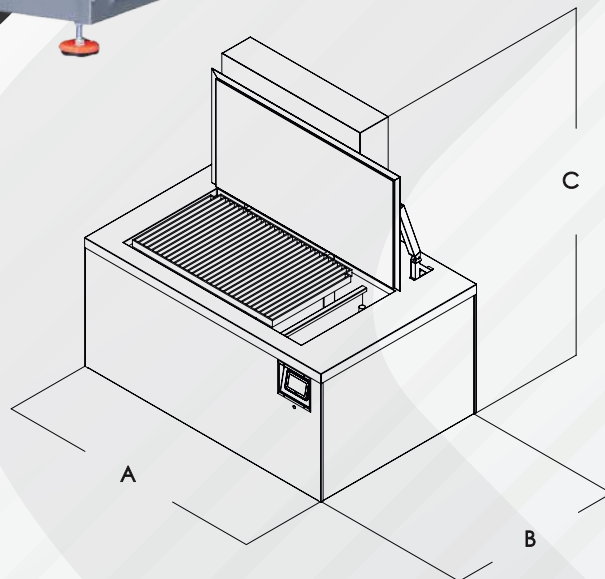


**SPECIFICATIONS**

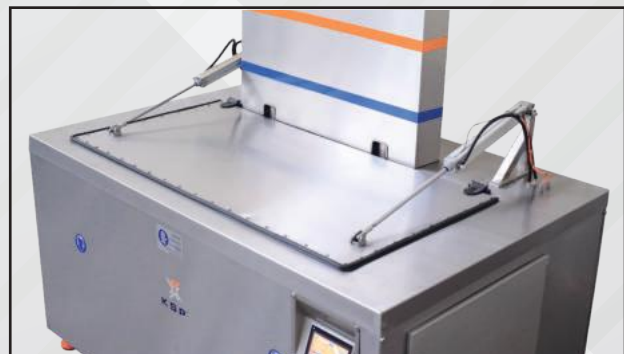
- Stainless Steel Body, Basket and Pipes
- Cleaning Process Timing
- Developed to save water, detergent and energy
- Minimum water consumption by closed circuit water cycling system
- PLC Control via Touch-Screen
- A water level sensor is used to protect the pumps and heaters against dry running
- Heating elements are made of special material incoloy alloy
- European Electrical and Technical Components
- High-performance and reliable European Pumps

**WORKING PRINCIPLE**

Our product line includes every type of cleaning system, bench top ultrasonic washer, to fully automated multi-stage systems that produce zero-residue cleaning results for high-technology parts washing applications, and everything in-between. Customized for Your Application: While competitive ultrasonic cleaners have designed standard cleaning systems which may not be perfectly suited to your application, we can design easily, allowing our customers specific needs.



	UWM600	UWM800	UWM900	UWM1300
A	1450	1600	1750	2100
B	1000	1150	1300	1400
C	1750	1950	2150	2300





**KSP**<sup>®</sup>  
**MACHINE TOOL DIVISION**

UWM MULTI-WASH  
**MULTI STATIONED SPECIAL DESIGN  
 ULTRASONIC WASHING MACHINES**



**UWM MULTI-WASH**

26



**ULTRASONIC  
 WASHER**



**SPECIAL  
 DESIGN**



**AUTOMATIC  
 HANDLING**



**AUTOMATION  
 CONTROL**

**APPLICABLE PROCESSES**

- Pre-Wash
- Washing
- Ultrasonic Washing
- Rinsing
- Phosphating
- Passivation
- Lubrication
- Drying
- Loading
- Unloading

**WORKING PRINCIPLE**

We develop customized solutions for all your INDUSTRIAL WASHING PROBLEMS you need. As KSP TEAM, we provide solutions to our customers' washing problems, save time and solve their problems quickly. We choose the most suitable washing type according to the size, type and material of the parts and we produce specially designed machines. You can benefit from the experience of our trained and competent expert staff who have gained experience by doing many different applications over time and closely following the developments in the industrial washing area. We recommend that you contact us for all your industrial parts and projects that require washing.





# ROBO CLEAN MULTI-STATION ULTRASONIC WASHING SYSTEMS WITH ROBOTIC CONTROL



**ULTRASONIC  
WASHER**



**SPECIAL  
DESIGN**



**ROBOTIC  
CONTROL**



**AUTOMATION  
CONTROL**

### APPLICABLE PROCESSES

- Pre-Wash
- Washing
- Ultrasonic Washing
- Rinsing
- Phosphating
- Passivation
- Lubrication
- Drying
- Loading
- Unloading

### WORKING PRINCIPLE

Robot Automated Ultrasonic Washing Systems provide full automation in industrial washing, process is done quickly and without the need of operator. It guarantees the same quality cleaning criteria of the parts coming from the mass production at any time without any operator error. Multi-station PLC controlled Robot Transport Ultrasonic Washing Systems are used for mass production washing, painting, coating, and pre-assembly washing and surface cleaning.







**KSP**<sup>®</sup>  
**MACHINE TOOL DIVISION**

UNI WASH  
**UNIVERSAL CABIN COMPACT  
 WASHING SYSTEMS**



UNI WASH

28



**SPECIAL  
 DESIGN**



**AUTOMATION  
 CONTROL**



**ROTATION  
 PROCESS**



**DETAILED  
 CLEANING**

**APPLICABLE PROCESSES**

- Ultrasonic Washing
- Immersion (agitation) Washing
- Spray Wash
- Rinse
- Phosphating
- Passivation
- Drying
- Vacuum Drying

**WORKING PRINCIPLE**

UniWash - Universal Cabin Compact Washing System has been designed by the KSP R&D team to meet the sensitive and high standard cleaning needs of parts, especially needed in mass production. Its compact structure offers an extremely wide application opportunity and meets different cleaning needs for each user.

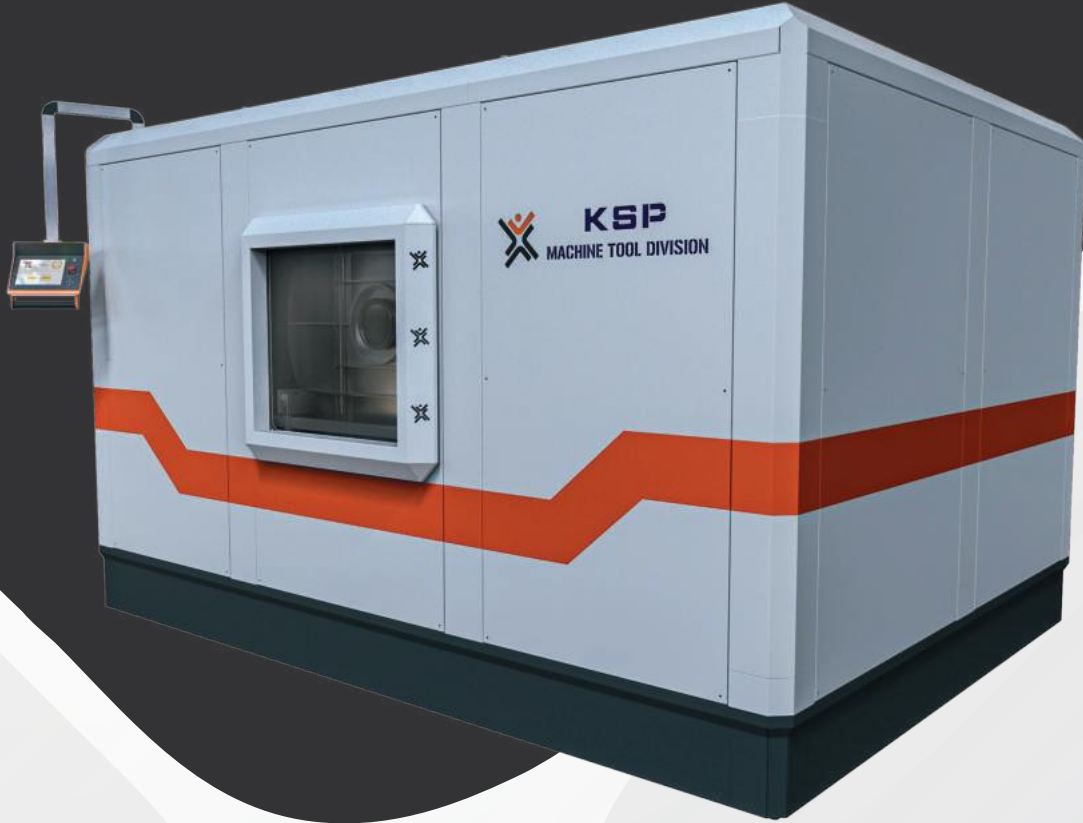
UniWash performs the cleaning process by rotating the horizontally positioned basket; With the effect of spraying, dipping, ultrasonic washing and rinsing processes and cleaning liquid, it performs a fast and effective cleaning process in accordance with sensitive cleaning criteria. The parts subjected to this washing process can also be subjected to processes such as passivation, phosphating, rinsing, hot air drying and vacuum drying when necessary.

In our UniWash series models, the parts are placed on the fixtures and prepared for the washing process. After this process, the loading-unloading operations of the fixtures can be performed automatically or manually with the help of the operator, considering the process or customer preference. It is subjected to all surface applications required by the cleaning criteria and other subsequent processes, respectively.

Process flow is entered by the customer (operator) via the Touch Screen. In line with the entered information, the machine applies all processes automatically with the help of a PLC controller.\*



kspmachine.com



CE



UNI WASH





**KSP**<sup>®</sup>  
**MACHINE TOOL DIVISION**

CONVEYOR WASH  
**TUNNEL TYPE CONTINUOUS WASHING SYSTEMS WITH CONVEYOR BELT**



CONVEYOR WASH

30



**CONVEYOR CONTINUOUS**



**SPECIAL DESIGN**



**AUTOMATION CONTROL**



**ROBOTIC CONTROL**

**APPLICABLE PROCESSES**

- Pre-Wash
- Washing
- Rinsing
- Phosphating
- Passivation
- Lubrication
- Drying
- Loading
- Unloading

**WORKING PRINCIPLE**

We develop customized solutions for all your INDUSTRIAL WASHING PROBLEMS you need. As KSP TEAM, we provide solutions to our customers' washing problems, save time and solve their problems quickly. We choose the most suitable washing type according to the size, type and material of the parts and we produce specially designed and designed machines. You can benefit from the experience of our trained and competent expert staff who have gained experience by doing many different applications over time and closely following the developments in the industrial washing area. We recommend that you contact us for all your industrial parts and projects that require washing.





kspmachine.com



CE



CONVEYOR WASH

31





**KSP**<sup>®</sup>  
**MACHINE TOOL DIVISION**

**AQUA ROLLER**  
**CONTINUOUS WASHING SYSTEMS**  
**WITH HELICAL DRUM CONVEYOR**



**AQUA ROLLER**

32



**HELICAL**  
**CONTINUOUS**



**SPECIAL**  
**DESIGN**



**FULL**  
**CONTROL**



**USER**  
**SAFETY**

**SPECIFICATIONS**

- Stainless Steel Body
- Stainless Steel Helical Drum Conveyor and Nozzle
- Stainless Steel Heater
- Stainless Steel Precision Filtration System
- Temperature Control System
- Water Level Control and Resistance-Pump Protection System
- Automatic Water Supply System
- Cover Security System
- PLC Control
- Touch screen
- Electronic Components Conforming to CE
- Electric Leakage Protection and 24V Control System
- Emergency Button

**APPLICABLE PROCESSES**

- Pre-Wash
- Washing
- Rinsing
- Phosphating
- Passivation
- Lubrication
- Drying
- Loading
- Unloading

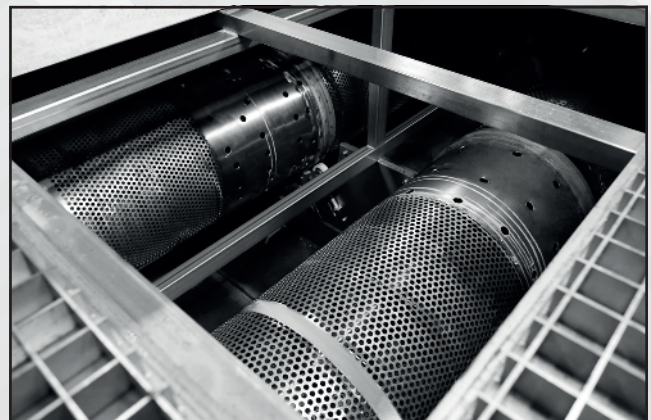
**WORKING PRINCIPLE**

AQUA ROLLER, designed and developed by KSP Machinery Engineering Department, is especially designed to be used in applications that are too small to be placed in baskets such as bolts, nuts, screws, fittings, or that aim to eliminate the labor cost and time losses that may occur during placement in baskets. Machine dimensions and features can be changed in line with customer needs, as well as dimensions and features according to process and production numbers.

The products to be washed are transported in the machine by means of a helical drum conveyor and during transportation; it is subjected to washing, rinsing, lubrication and drying processes. These processes can be changed or increased according to the application.







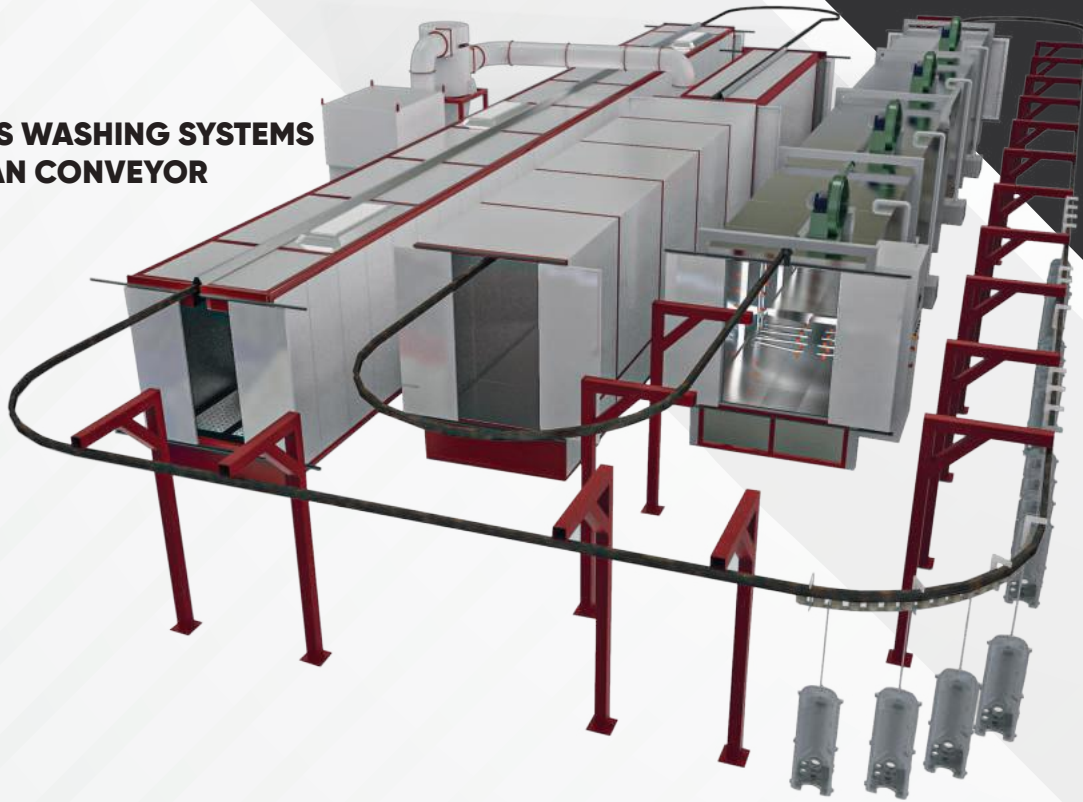




# KSP®

## MACHINE TOOL DIVISION

### CARDAN CONTINUOUS WASHING SYSTEMS WITH CARDAN CONVEYOR



CARDAN



**SPECIAL  
DESIGN**



**AUTOMATION  
CONTROL**



**BEFORE  
PAINT**



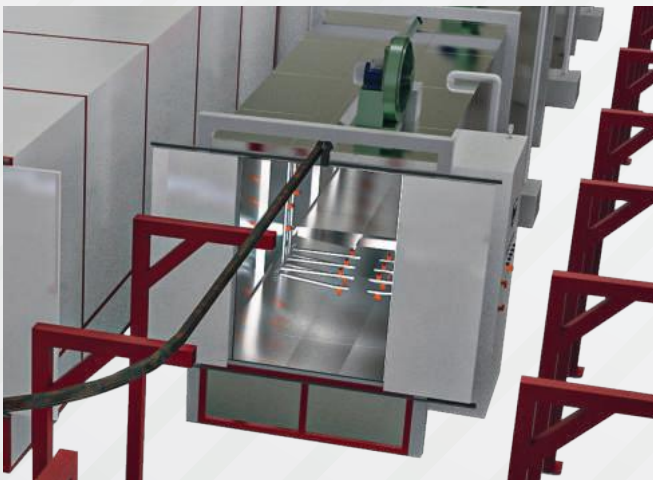
**CARDAN  
CONVEYOR**

#### APPLICABLE PROCESSES

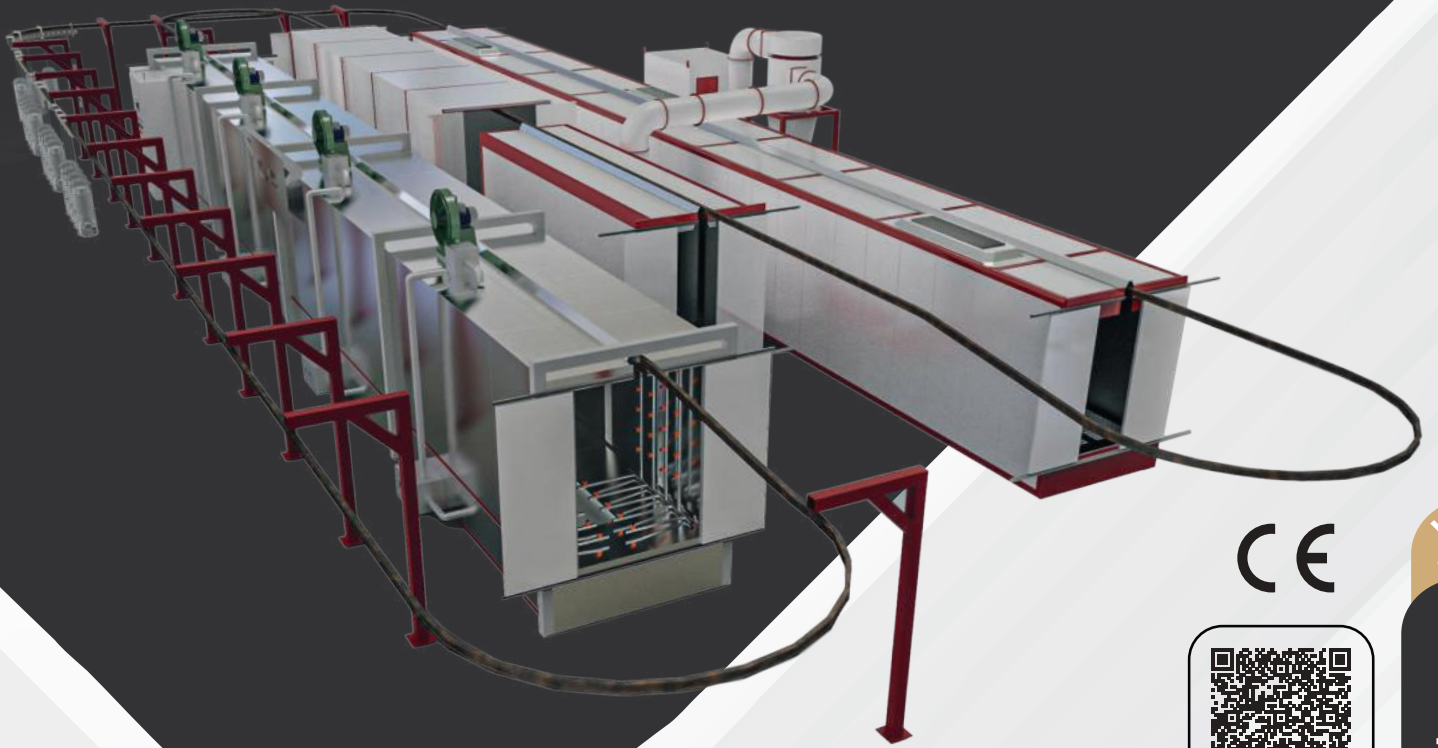
- Pre-Wash
- Washing
- Rinsing
- Phosphating
- Passivation
- Lubrication
- Drying
- Loading
- Unloading

#### WORKING PRINCIPLE

With over 20 years of experience, KSP Makine is a reliable partner that can meet all your special processing, special parts and unusual washing requirements. Thanks to our experience with many large companies in Europe, America, Australia and Asia, we have the experience and capabilities to meet all your needs with our expert team in the field of washing machines and systems. We are at your service to design the best, economical and most effective systems to meet the customer needs. Some Special Design Examples; Multi-station process requirements Collectors designed according to the geometry of the parts to be washed Special nozzle groups spraying water at different angles Working in line production speed Special design for your production facility A wide range of process applications thanks to its modular design Special engineering services Process Sequencing; Washing, Rinse, Drying, Lubrication, Passivation, Phosphating.



kspmachine.com



CE



CARDAN

35







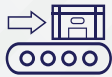
**KSP**<sup>®</sup>  
**MACHINE TOOL DIVISION**

CRATE WASH  
**TUNNEL TYPE CONTINUOUS CRATE  
 WASHING SYSTEMS WITH CONVEYOR BELT**



**CRATE WASH**

36



**CONVEYOR**  
CONTINUOUS



**SPECIAL**  
DESIGN



**AUTOMATION**  
CONTROL



**CRATE**  
PLASTIC



**WORKING PRINCIPLE**

KSP Machine designed its Tunnel Type Crate Washing Systems modularly in order to respond to many different configurations and special requests. Thanks to its compact and functional design, it guarantees minimum water, energy, and detergent consumption.

It can also be designed with 2 conveyors or 2 floors, depending on the need. Also, stackers, spinners and bumpers can be added. Depending on specific demand, we can customize them for washing any type of container, from crates and pallets to all types of trays, RPCs, grids, molds, lids, pots, baskets...

If we come to the reason why we say system; At KSP, we can promise you more than just a washing machine. Machine loading, processing, and unloading can be done completely automatically, and our systems can automatically adjust themselves according to your needs thanks to the placed stacking areas. All you have to do is leave the crates that need to be washed in the stacking area and pick up the washed and clean crates from the stacking area.





CUSTOM MADE  
**PROCESS-SPECIFIC INDUSTRIAL  
PARTS WASHING SYSTEMS**



**SPECIAL  
DESIGN**



**AUTOMATION  
CONTROL**



**ROBOTIC  
CONTROL**



**COMPACT  
DESIGN**



**WORKING PRINCIPLE**

KSP Machine; Along with standard machine models, it has the ability to R&D, design and manufacture machinery in line with customer needs. Especially the models that have been released recently are the models that have been standardized after these studies. Even though many companies develop products with old methods; KSP is able to present very fast and robust solutions with its Agile Design Method.

Following the feasibility studies carried out in line with customer demands, processes such as Washing, Rinsing, Lubrication, Drying, Passivation, Phosphating are determined. Then, the design is made, and the technical drawings are prepared in the SolidWorks environment and submitted to the customer's approval for final technical compliance before manufacturing. Production planning is made with customer approval and machine manufacturing is started in accordance with the programs. During the machine manufacturing and before the shipment organization, our valued customers are invited to our company headquarters, and controls and trials are carried out.

We recommend that you contact us about all industrial parts washing machines, systems and projects that require a washing process.



**CUSTOM MADE**



**KSP**®

**MACHINE TOOL DIVISION**



**WM**



**MW**



**WM**



**HPWM-AC**



**PXL**

**DU**

**1998**

**2000**

**2002**

**2008**

**2010**

**2013**

**2015**



**PAW**



**HPWM**



**DPF**



**CARDAN**



**DUALJET**



**UNIWASH**



**HPWM EVO**



**ROBOCLEAN**



**DPF-S**



**2016**

**2017**

**2018**

**2019**

**2020**

**2021**

**2022**



**CONVEYOR**



**PAW PLUS**



**ALL IN ONE**



**MULTIWASH**



**AQUA ROLLER**





## KSP Machine CO.

- 📍 Fevzi Çakmak Mh. Ahmet Petekci Cd.  
Kobisan Sanayi Sitesi 17/N 42210 Konya/TÜRKİYE
- 🌐 [kspmachine.com](http://kspmachine.com) ✉️ [ksp@kspmachine.com](mailto:ksp@kspmachine.com)
- ☎️ +90 332 351 31 11 ☎️ +90 332 351 66 36

